

Technical Bulletin

Bulletin Number: 218 Revision Number: R-05

Release Date: June 13, 1979 Revision Date: September 27, 1996

SUBJECT: CONDENSATE (DRAIN) PAN

MODELS: All DNCB Venders.

REASON: To provide service drain pan assembly numbers and installation instructions.

SERIAL BREAKS: 0450-6365CU and higher have plastic drain pans with new fiberglass soakers.
0001-6158DR and higher have plastic drain pans with fiberglass soakers.
0001-6121AR and higher have plastic drain pans with sponge soakers.
0001-2971AL to 0001-6121AR have metal drain pans with sponge soakers.
001-2283BD to 0001-2971AL have plastic drain pans with sponge soakers.
Prior to 001-2283BD have metal drain pans.

ORDER: 491,000,100.23 Service Drain Pan Assy.

Assy. includes:

1 - 801,804,240.81	Plastic Drain Pan with clips
14 - 905,800,690.11	Fiberglass Soakers

Also order:

1 - 900,301,980.01	Phil Pan Shoulder Screw #8-18 x 17/32
1 - 900,301,650.01	Phil Pan Screw with washer #8-18 x 1/2

Important: For venders serialized 0001-2971AL to 0001-6121AR Also order:

1 - 491,012,000.03	Plastic Drain Pain Adapter Plate Assy.
2 - 900,301,650.01	Phil Pan Screw with washer #8-18 x 1/2
2 - 900,800,500.01	Keps nut #8-32

If there is a need for a drain pan which holds an increased volume of condensate, refer to page 4.

DRAIN PAN INSTALLATION INSTRUCTIONS FOR VENDERS
Serialized 0001-6121AR and Higher
And venders prior to 0001-2971AL

1. Remove the front screw that secures the existing drain pan.
2. Remove the existing drain pan.
3. Remove the rear screw used to secure the back of the drain pan.
4. Install the Phil Pan Shoulder Screw (900,301,980.01) in the position you removed the screw in step 3.
5. Place the plastic drain pan in position. Ensure the securing projection (see "A" fig. 1 on page 3) on the pan fits around the shoulder of the Phil Pan Shoulder Screw.
6. Secure the front of the plastic drain pan with a Phil Pan Screw with washer (900,301,650.01).
7. Ensure the drain hose is positioned in the drain pan.

DRAIN PAN INSTALLATION INSTRUCTIONS FOR VENDERS
Serialized 0001-2971AL to 0001-6121AR

1. Remove the front screw that secures the existing drain pan.
2. Remove the existing drain pan.
3. Remove the rear screw used to secure the back of the drain pan.
4. Place the plastic drain pan adapter plate (see fig. 2 on pg. 3). Note: Adapter only fits one way. (See fig. 2 on page 3 for proper positioning.)
5. Secure the adapter plate in position with two (2) Phil Pan Screws with washer (900,301,650.01). Note: Screws are installed in the positions the screws were removed in steps 1 and 3.
6. Place the drain pan in position on the adapter plate. Ensure the securing projections (see "A" fig. 1 on page 3) on the drain pan fit around the threadstuds on the adapter plate.
7. Secure the drain pan in position with two keps nuts (900,800,500.01).
8. Ensure the drain hose is positioned in the drain pan.

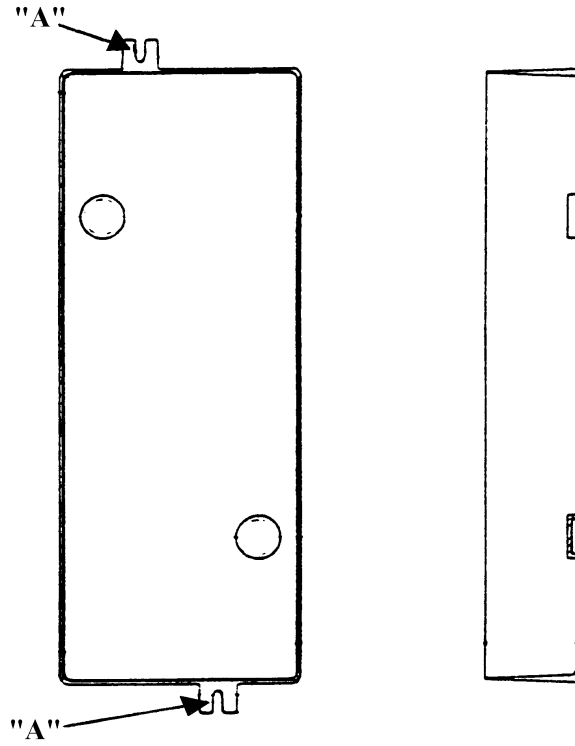


Figure 1
Drain Pan

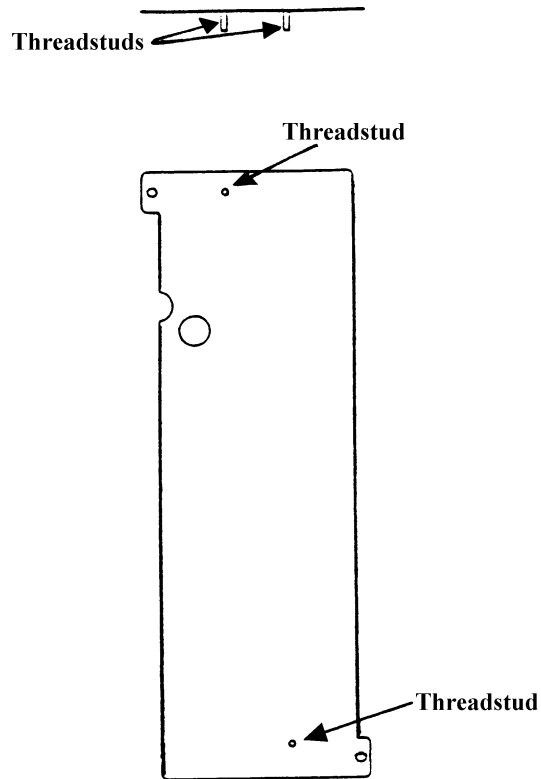


Figure 2
Drain Pan Adapter Plate

EXTRA LARGE CONDENSATE (DRAIN) PAN

REASON: To provide a service drain pan which holds an increased volume of condensate.

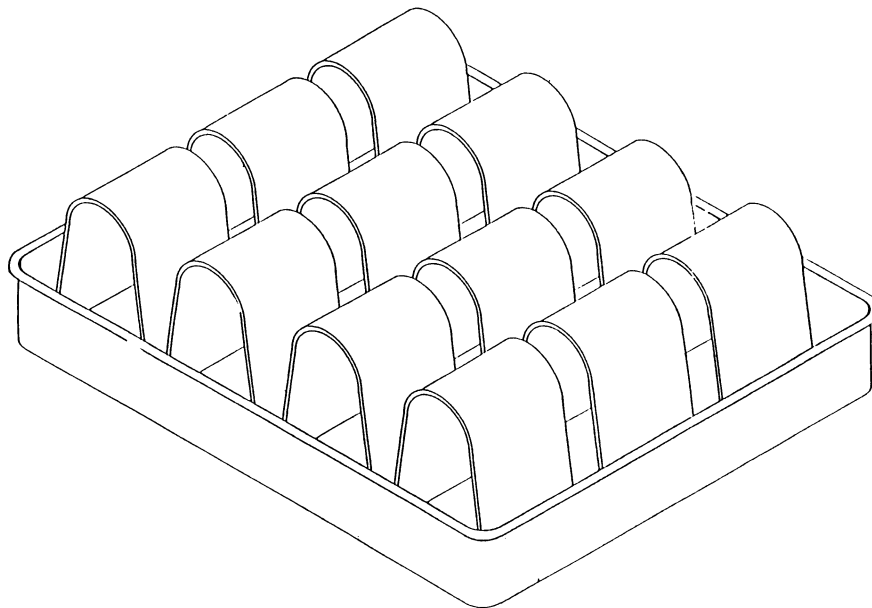
ORDER: 164,011,700.04 Special Condensate Pan

Assy. Includes:

1 - 164,000,200.03	Extra large metal drain pan
3 - 901,400,060.11	Rod
24 - 901,900,020.21	Sponge soakers

Installation Instructions:

1. Remove the front screw that secures the existing drain pan.
2. Remove the existing drain pan.
3. Remove the rear screw used to secure the backside of the drain pan.
4. Place special drain pan in position. Note: The special drain pan is not secured to the base.
5. Ensure the drain hose is positioned in the drain pan.



Condensate Pan Special
164,011,700.04